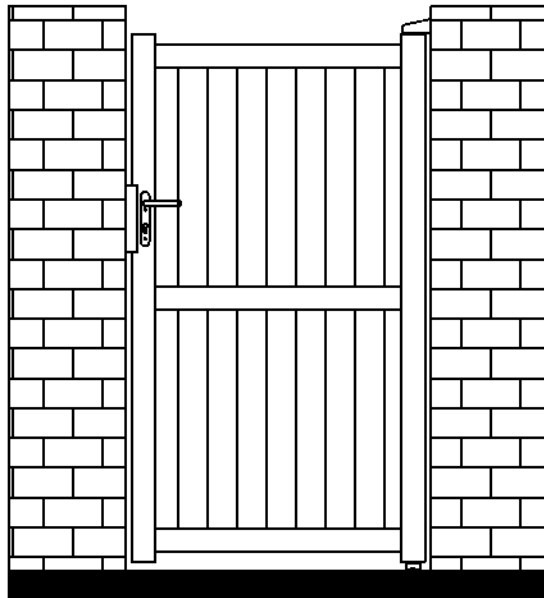
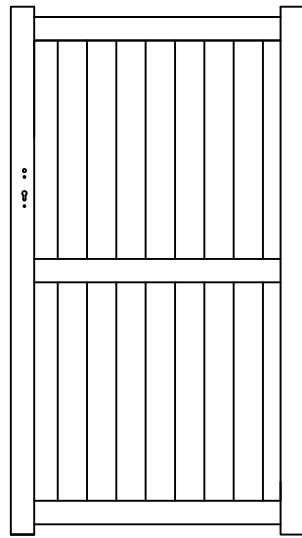


NOTICE TECHNIQUE

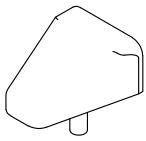
- GAMME NAIROBI -

PORTILLON

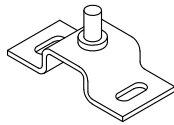




[1]*1



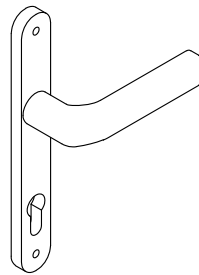
[2]*1



[3]*1



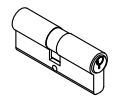
[4]*1



[5]*2



[6]*1



[7]*1



[8]*1



[9]*3



[10]*2



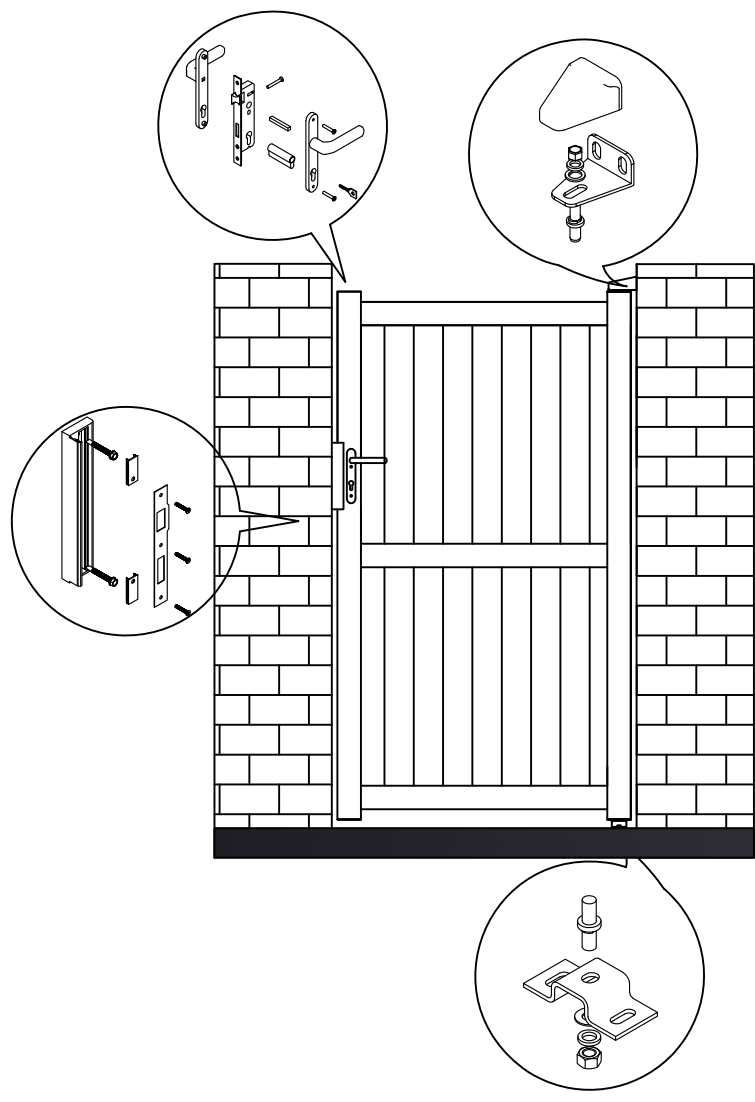
[11]*4

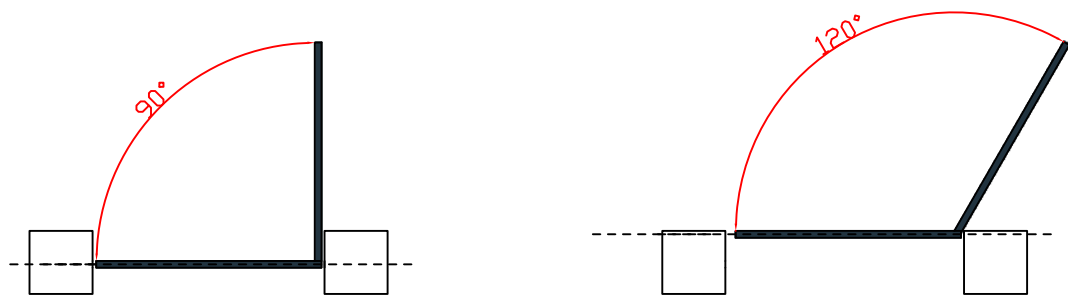
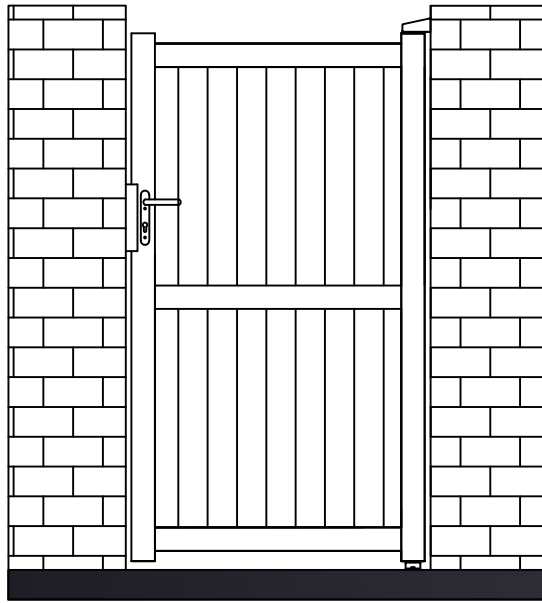


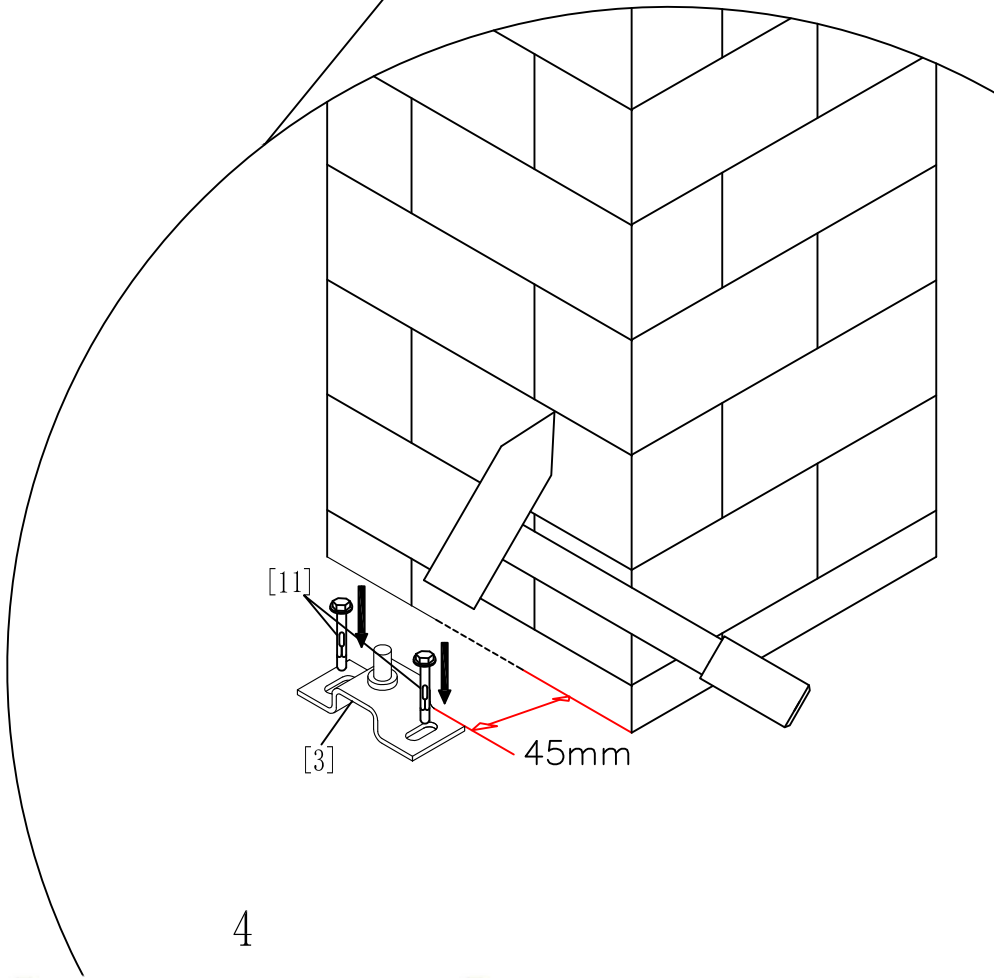
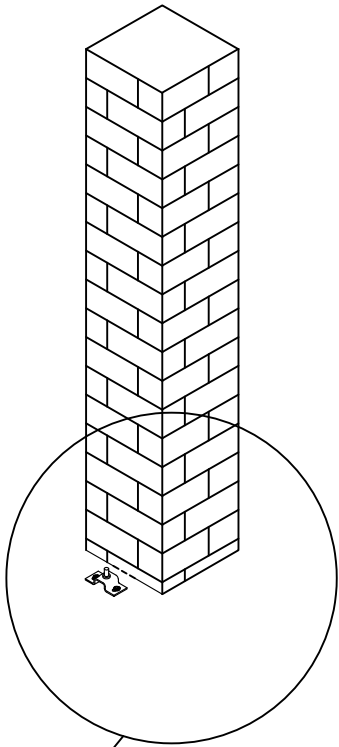
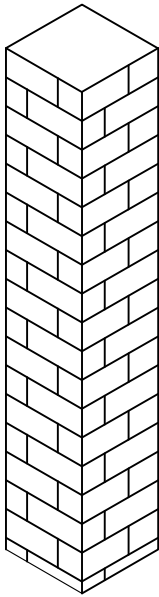
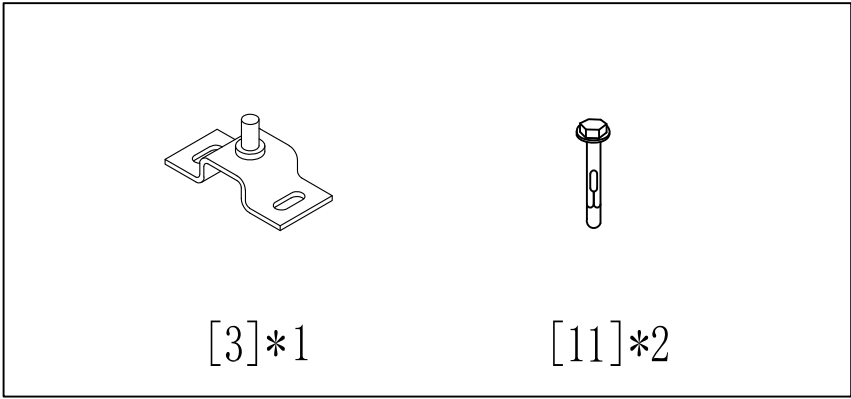
[12]*2

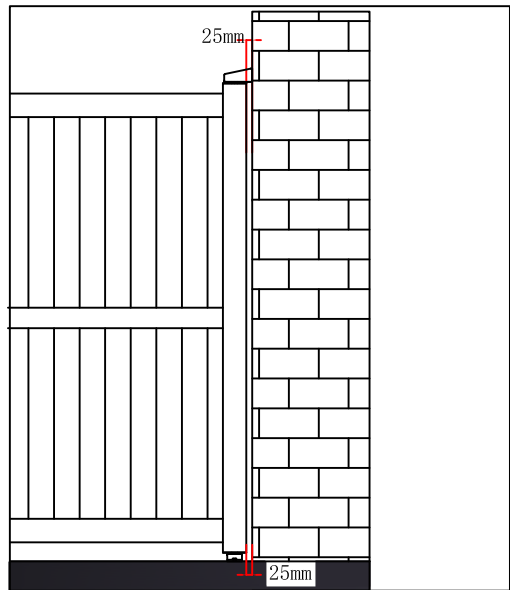
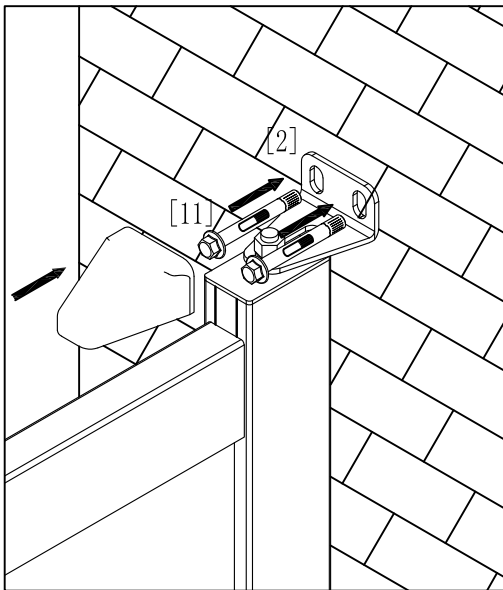
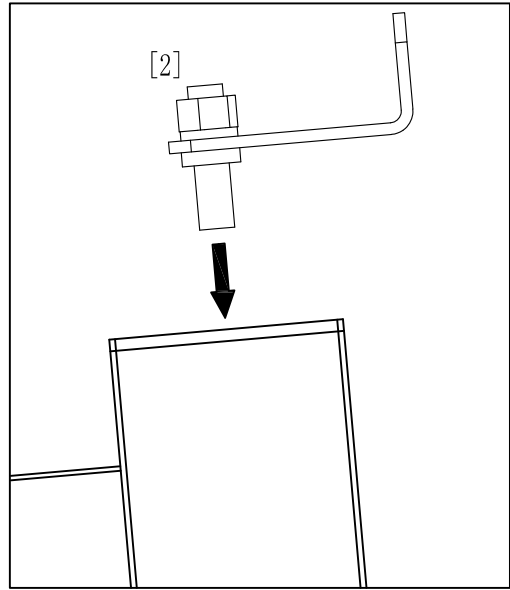
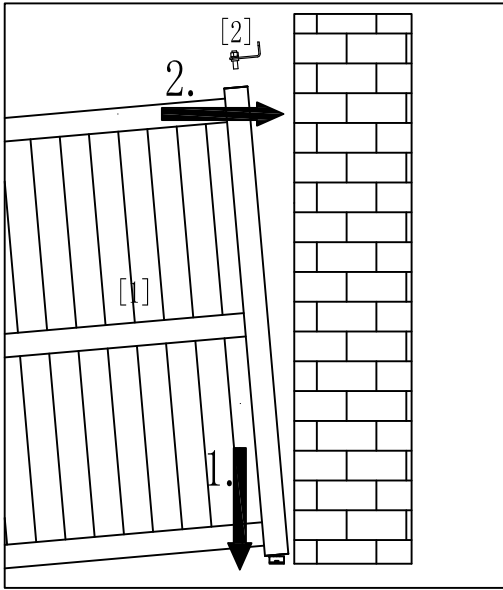
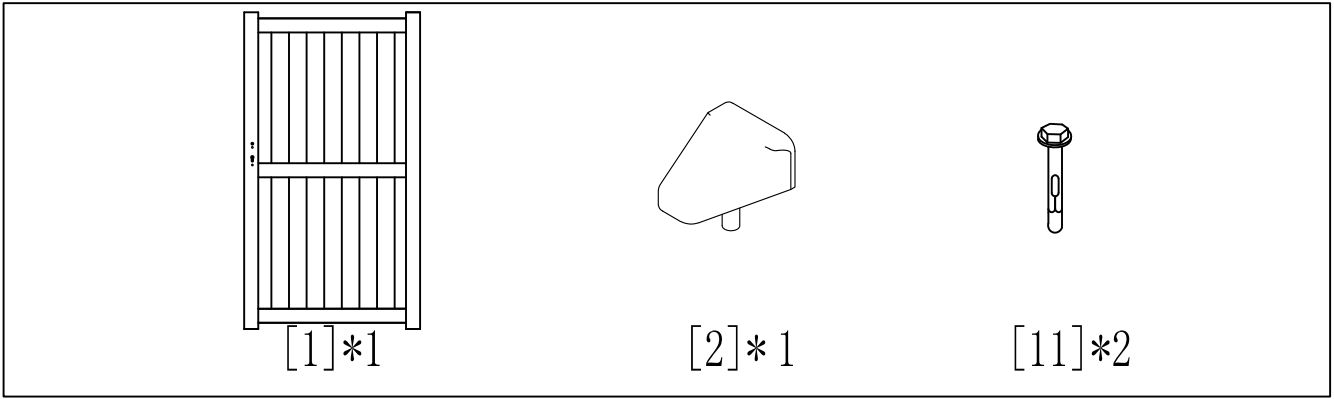


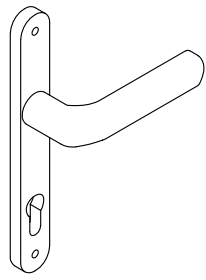
[13]*1



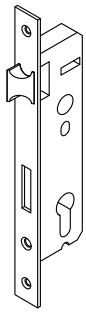




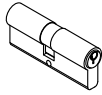




[5]*2



[6]*1



[7]*1



[8]*1



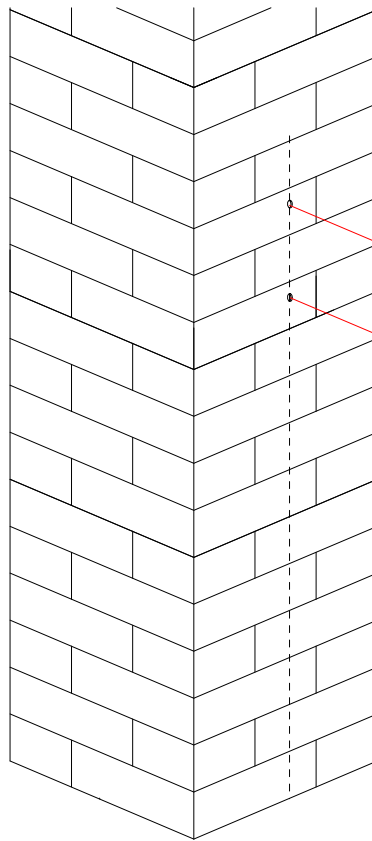
[9]*3



[12]*2



[13]*1



220mm

